



# REED TECHNOLOGY – SURFACE MOUNT (SMD) REED SENSORS



PARTNER | SOLVE | DELIVER®



# Introduction

## Purpose

- › To provide an overview of Standex Electronics' Product Line of Surface Mount (SMD) Reed Switch Sensors

## Objectives:

- › Cover the advantages of reed technology and the features of Surface Mount (SMD) Reed Switch Sensors
- › Provide an overview of the standard SMD Sensor series
- › Introduce the new MK31 series in the SMD line-up
- › Review typical applications and markets where these products can be utilized
- › Customized solutions that go beyond the standard sensor

# Reed Technology Advantages

- › Zero energy consumption (passive state)
- › Low power alternative to Hall Effect
- › No switching noise
- › Millions of reliable operations
- › Contactless switching
- › Hermetically sealed
- › Dynamically tested contacts
- › High-end sensing applications
- › Global leader in reed technology



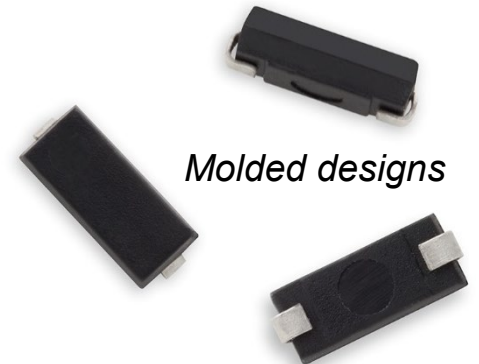
# SMD Reed Switch Sensor Features

- › Reed switch is the base component
- › Bare switch or molded options
- › Switching or sensing applications
- › Compact design from 5mm
- › Tape & Reel for auto pick and place
- › 5 different surface mount lead designs
- › 9 reed switch model options
- › Up to 1000 VDC switching
- › Suitable in harsh environments

*Bare Glass designs*



*Molded designs*



# Standard SMD Sensor Series



## Body size in mm

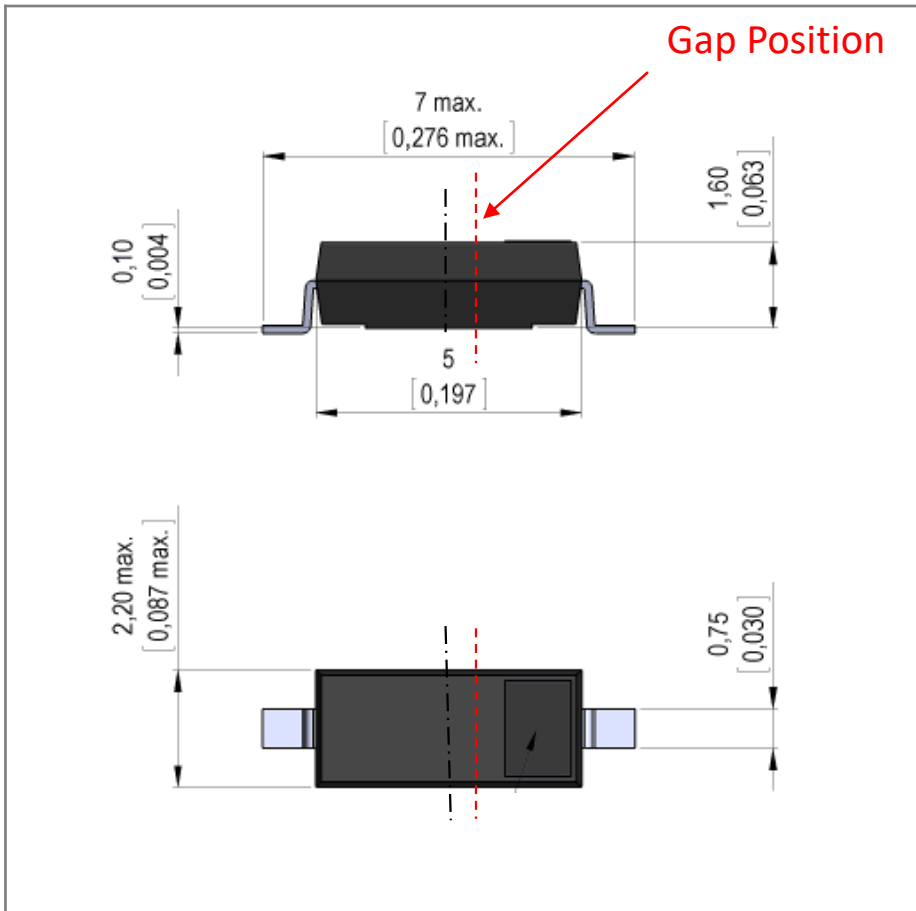
	5	6.4	7	8.3	8.5	10	10.5	11.6	12	12.7	14	16	18	21	22.5
<b>Bare Glass Series</b>		<b>New</b>	MK23-80			MK23-87 MK23-400	MK23-35		MK23-46	MK23-501	††MK23-90 MK23-66			MK23-52 MK23-85	
<b>Molded Series</b>	*MK24	MK31		MK10	MK17			MK22 MK16				+MK15	††MK01		MK30



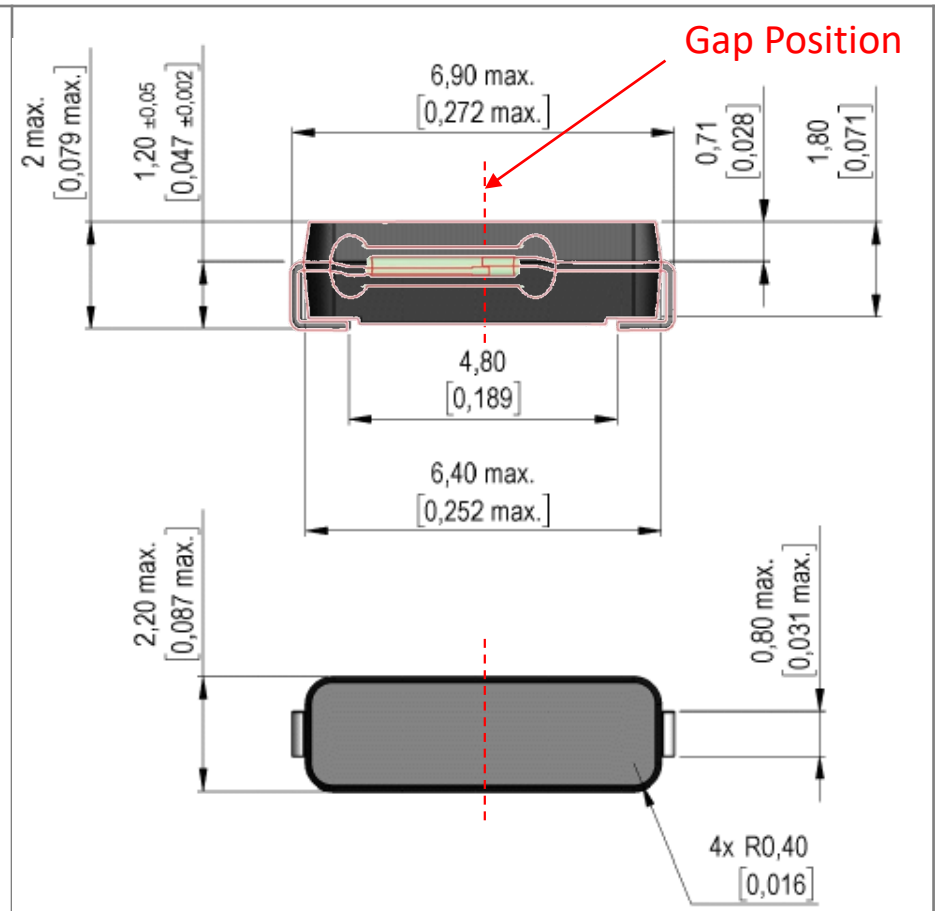
\*MK24 series is the only series with switch gap off centered 0.7mm  
 † Series with SPST-NO Normally Closed (Form B) option  
 † † Series with SPDT-NC Changeover (Form C) option

# The New MK31 Series

## MK24 Series



## MK31 Series



# Markets & Applications



Medical // White Goods // Consumer Electronics // Metering // Security // Telecomm

- › Wake up function
- › Portable/Implantable devices
- › On/Off control
- › Proximity
- › Motion
- › Limit switches
- › Push button sensors
- › Low-power miniature devices
- › Position sensors
- › Non-contact switching
- › Automated test equipment
- › Low signal switching
- › Cell phones and handheld devices
- › Medical devices



# Customized Solutions

Standard products

Customized solutions

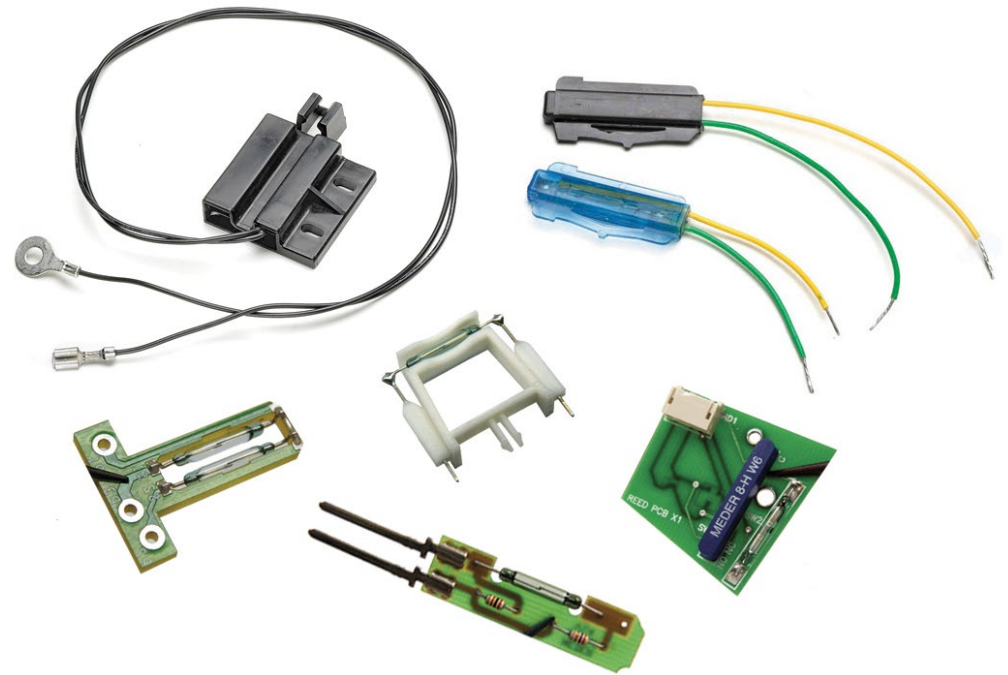
- › Housing
- › Cable
- › Magnet
- › Plug options
- › Mounting options

Dynamic and engineering expertise

Global facilities

- › logistics
- › production

PARTNER | SOLVE | DELIVER®





**PARTNER | SOLVE | DELIVER<sup>®</sup>**

**FOR MORE INFORMATION ON OUR CAPABILITIES, AND  
HOW WE CAN PARTNER, SOLVE, AND DELIVER<sup>®</sup> TO YOUR  
NEEDS, PLEASE VISIT US AT**

**[STANDEXELECTRONICS.COM](https://www.standexelectronics.com)**